

Yellow Jacket® Piston Vibrators Performance Data

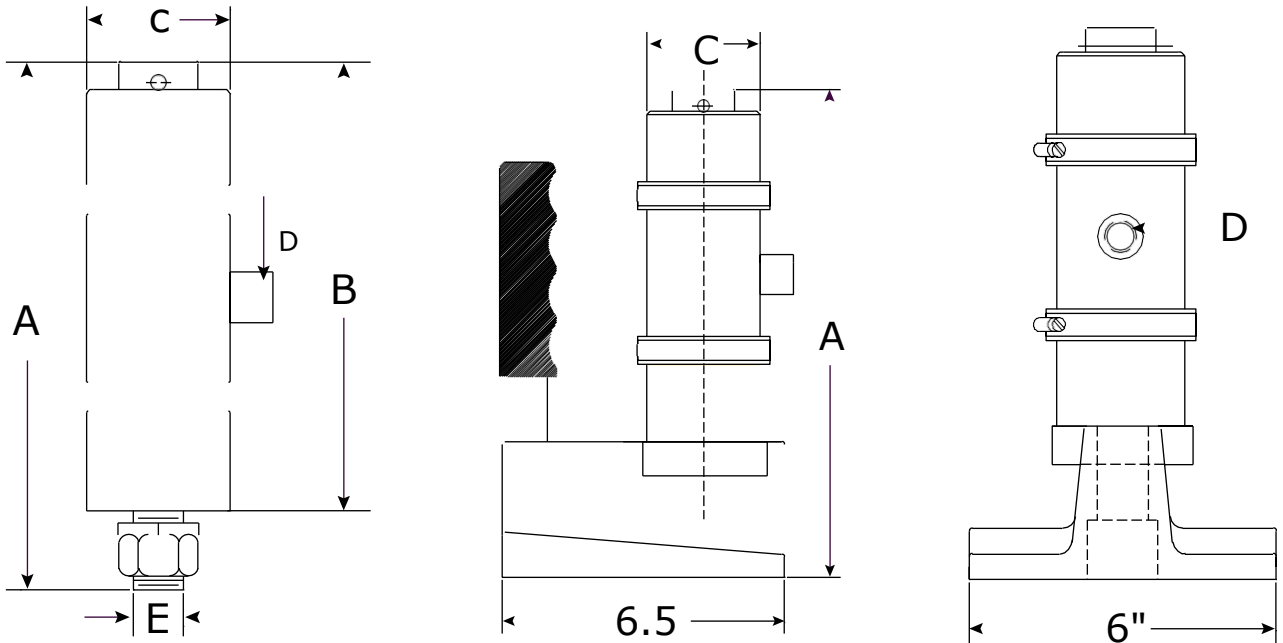
Vibrator Model	Air Pressure									
	Start UP	40 psi (2.8 bar)			60 psi (4.1 bar)			80 psi (5.5 bar)		
		Speed	Flow	Force	Speed	Flow	Force	Speed	Flow	Force
	psi	cpm	cfm	lb	cpm	cfm	lb	cpm	cfm	lb
	bar		Lpm	kN		Lpm	kN		Lpm	kN
Impact										
YJ-1.00-IM	15-20	4,800	3.0	450	6,000	4.9	1000	7,400	5.5	1250
	1.03-1.38		85	2.0		139	4.4		156	5.6
YJ-1.25-IM	15-20	3,700	4.0	770	4,800	6.0	1620	6,000	10.5	2400
	1.03-1.38		113	3.4		170	7.2		297	10.7
YJ-1.50-IM	15-20	3,200	5.0	1300	4,100	9.0	2700	4,800	11.0	3600
	1.03-1.38		142	5.8		255	12.0		311	16.0
YJ-2.00-IM	15-20	2,400	6.5	3200	3,000	13.5	5200	3,500	19.0	7000
	1.03-1.38		184	14.2		382	23.1		538	31.1
Air-Cushioned										
YJ-1.00-AC	15-20	3,700	3.0	16	4,400	5.0	26	5,200	6.0	40
	1.03-1.38		85	0.1		142	0.1		170	0.2
YJ-1.25-AC	15-20	3,100	4.5	21	3,500	6.0	31	4,000	10.0	46
	1.03-1.38		127	0.1		170	0.1		283	0.2
YJ-1.50-AC	15-20	2,700	6.0	60	3,000	11.0	100	3,300	14.0	135
	1.03-1.38		170	0.3		311	0.4		396	0.6
YJ-2.00-AC	15-20	2,000	7.5	120	2,200	14.0	195	2,400	23.0	270
	1.03-1.38		212	0.5		396	0.9		651	1.2
Wear-Resistant										
YJW-2.00-IM	15-20	2,400	6.5	3200	3,000	13.5	5200	3,500	19.0	7000
	1.03-1.38		184	14.2		382	23.1		538	31.1
YJW-3.00-IM	15-20	1,600	12.5	6800	2,000	21.0	10000	2,200	29.0	13300
	1.03-1.38		354	30.2		595	44.5		821	59.2
YJW-2.00-AC	15-20	2,000	7.5	120	2,200	14.0	195	2,400	23.0	270
	1.03-1.38		212	0.5		396	0.9		651	1.2
YJW-3.00-AC	15-20	1,300	13.0	225	1,500	21.0	360	1,700	30.0	500
	1.03-1.38		368	1.0		595	1.6		850	2.2
Railcar										
YJR-2.00-IM	15-20	2,400	6.5	3200	3,000	13.5	5200	3,500	19.0	7000
	1.03-1.38		184	14.2		382	23.1		538	31.1
YJR-3.00-AC	15-20	1,300	13.0	225	1,500	21.0	360	1,700	30.0	500
	1.03-1.38		368	1.0		595	1.6		850	2.2

All Force data exceeding 4800 lbs is estimated.

Yellow Jacket® Piston Vibrators Dimensions

Model	Weight	A	B	C	D	E	Mount Stud Max Torque
		Total Length	Housing Length	Width	Inlet	Mount Bolt	
	lb	in	in	in	in	in	ft-lbs
	kg	mm	mm	mm	NPT		N-m
YJ-1.00-AC or IM	1.25	4.75	4.00	1.38	1/4	1/2	96
	0.57	121	102	34.9			130
YJ-1.25-AC or IM	2.25	5.88	5.13	1.63	1/4	5/8	150
	1.02	149	130	41.3			200
YJ-1.50-AC or IM	3.13	7.13	5.94	1.88	1/4	5/8	150
	1.42	181	151	47.6			200
YJ-2.00-AC or IM	7.75	9.19	7.88	2.50	1/4	7/8	300
YJW-2.00-AC or IM	3.52	233	200	63.5			400
YJW-3.00-AC or IM	21.50	12.88	11.30	3.50	3/8	1-1/4	500
	9.75	327	287	88.9			680
YJR-2.00-IM	22.00	10.81	N/A	2.50	1/4	6.5 X 6 Wedge Base	500
	9.98	275		63.5			680
YJR-3.00-AC	35.75	14.25	N/A	3.50	3/8	6.5 X 6 Wedge Base	500
	16.22	362		88.9			680

Inquire about models for mounting on screeds and matchplates.



Distributed By:


ChicagoVibratorProducts
Flow and Compaction

Division of CVP Group
 800-842-7284 (P)
 866-247-7538 (F)
 Solutions@ChiVib.com
 www.ChicagoVibrator.com

